

Type 7228 Light-Duty Zero Gravity Balancer

Design:

Suspension:	Rotary screw-type spring hook
Housing:	Impact- and abrasion-resistant plastic, reddish orange
Housing cover:	Sheet steel, varnished
Cable drum:	High-strength, abrasion-resistant plastic
Cable:	High-strength steel cable with elastic cable stop buffer and screw-type spring hook for load suspension. The cable is continuously adjustable in length via a cable wedge. The lift or working range can be continuously adjusted (reduced) in addition via a cable clamp.
Feder:	High-strength, riveted special suspension spring, simplified load adjustment
Besonderheit:	Longer cable available on request.

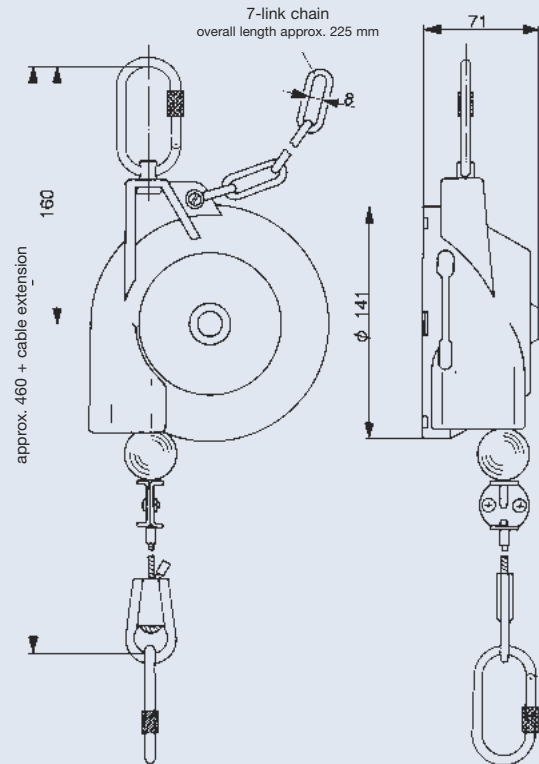
Safety features:

- ▶ Tested for safety ("GS" label)
- ▶ Very rigid and highly impact-resistant housing
- ▶ Screw-type spring hook for insulated suspension, swiveling and rotatable
- ▶ Screw-type spring hook for load suspension
- ▶ Safety chain as standard fall protection feature
- ▶ Spring fracture safeguard as standard feature in models with a load capacity of 3.0 kg or higher
- ▶ Cable drum lockable



Working ranges:

Cable extension:	1.6 m
Cable stop buffer:	continuously adjustable



ID No.	Load Range (kg)	Cable Travel (m)	Dead Weight (kg)
7228 0000 01	0.4 - 1.2	1.6	1.3
7228 0000 02	1.2 - 2.6	1.6	1.4
7228 0000 03	2.6 - 3.8	1.6	1.5
7228 0000 04	3.8 - 5.2	1.6	1.5
7228 0000 05	5.2 - 6.5	1.6	1.5