

Type 7223 Air Hose Balancer

Design:

Suspension:	Rotary screw-type spring hook
Housing:	Impact- and abrasion-resistant plastic, reddish orange
Housing cover:	Sheet steel, varnished
Cable drum:	High-strength, abrasion-resistant plastic
Hose:	High-strength and sturdy (damage-resistant) air hose, inner width 5 mm, with Cejn quick-action coupling. Rotary coupling for air supply to tool: R 1/4". The lift or working range can be continuously adjusted (reduced).
Spring:	High-strength, riveted special suspension spring
Special feature:	Longer air hose available on request.

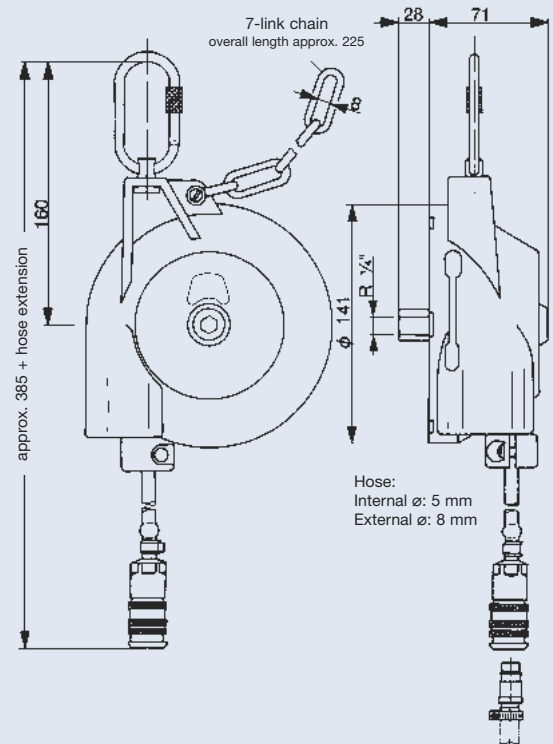
Safety features:

- ▶ Tested for safety ("GS" label)
- ▶ Very rigid and highly impact-resistant housing
- ▶ Screw-type safety hook, rotatable and swiveling, as insulated suspension
- ▶ Safety chain as standard fall protection feature
- ▶ Extremely abrasion-resistant air hose



Working ranges:

Hose extension:	0.8 m
Hose stop buffer:	continuously adjustable
Max. operating pressure:	10 bar
Air flow rate:	900 l / min at 6 bar



ID No.	Load Range (kg)	Hose Travel (m)	Dead Weight (kg)
7223 0000 01	0.4 - 1.2	0.8	1.2
7223 0000 02	1.2 - 2.2	0.8	1.3
7223 0000 03	2.2 - 3.0	0.8	1.4

