

Types 7221 and 7222
Medium-Duty Spring Balancers
Optionally with Ratchet Lock

Design:

- Suspension: Rotary screw-type spring hook
- Housing: Impact- and abrasion-resistant plastic, reddish orange
- Cable drum: Abrasion-resistant plastic
- Cable: High-strength steel cable with elastic cable stop buffer and screw-type spring hook for load suspension. The cable can be continuously adjusted lengthwise via a cable wedge. A longer cable is available on request.
- Spring: High-strength, banded special suspension spring, load continuously adjustable
- Special features: Version 7222 with ratchet lock
 Longer cable available on request
 Version with spiral hose available as well (see Air Hose Balancers, p. 32 ff)

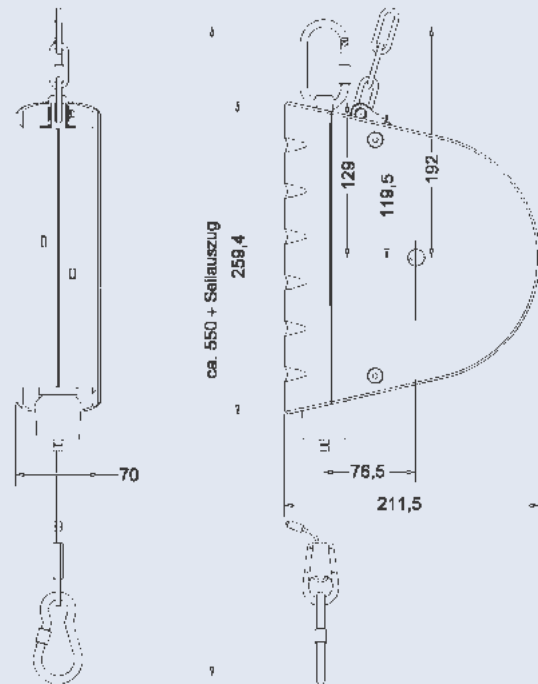
Safety features:

- ▶ Tested for safety ("GS" label)
- ▶ Very rigid housing
- ▶ Screw-type spring hook as insulated suspension, swiveling and rotatable
- ▶ Ferrule for securing the cable end
- ▶ Spring fracture safeguard and safety chain as standard features
- ▶ Cable drum lockable



Working ranges:

- Cable extension: 3.0 m
- Cable stop buffer: continuously adjustable



ID No. w/o Ratchet Lock	ID No. with Ratchet Lock	Load Range (kg)	Cable Travel (m)	Dead Weight w/o Ratchet Lock (kg)	Dead Weight with Ratchet Lock (kg)
7221 0800 01	7222 0800 01	2.0 - 5.0	3.0	3.3	3.5
7221 0800 02	7222 0800 02	4.0 - 8.0	3.0	3.7	3.8
7221 0800 03	7222 0800 03	7.0 - 10.0	3.0	3.7	3.8
7221 0800 04	7222 0800 04	10.0 - 14.0	3.0	3.9	4.0

