

Types 7211 and 7212
Light-Duty Spring Balancers
 Optionally with Ratchet Lock

Design:

- Housing: Impact- and abrasion-resistant plastic, reddish orange
- Cable drum: Abrasion-resistant plastic
- Cable: High-strength steel cable with elastic cable stop buffer and spring hook for load suspension
- Spring: High-strength special suspension spring in riveted design, easy load setting
- Special features: Version 7212 with ratchet lock
 Longer cable available on request
 Version with spiral hose available as well (see Air Hose Balancers, p. 32 ff)

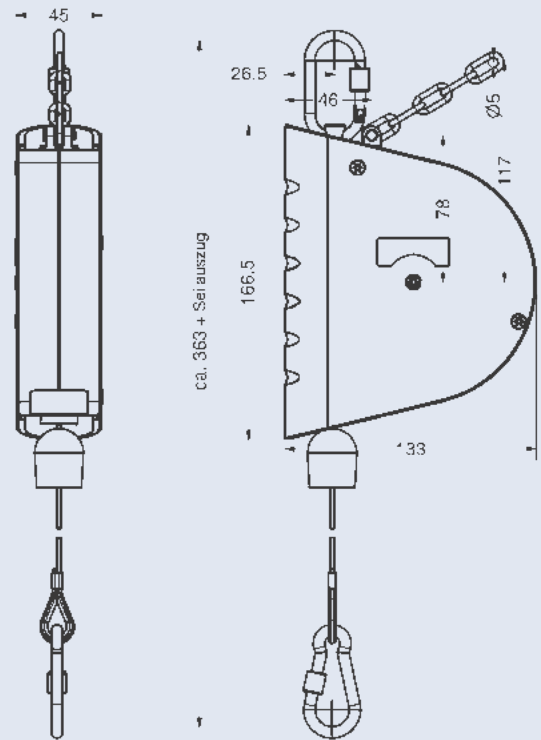
Safety features:

- ▶ Tested for safety ("GS" label)
- ▶ Fully assembled unit
- ▶ Rigid housing
- ▶ Insulated suspension
- ▶ With safety chain as a standard feature



Working ranges:

- Cable extension: 2.5 m
- Cable stop buffer: continuously adjustable



ID No. w/o Ratchet Lock	ID No. with Ratchet Lock	Load Range (kg)	Cable Travel (m)	Dead Weight w/o Ratchet Lock (kg)	Dead Weight with Ratchet Lock (kg)
7211 0800 01	7212 0800 01	0.5 - 2.0	2.5	0.8	0.9
7211 0800 02	7212 0800 02	1.5 - 3.0	2.5	0.8	0.9

