

Type 5200 Light-Duty Spring Balancer

Design:

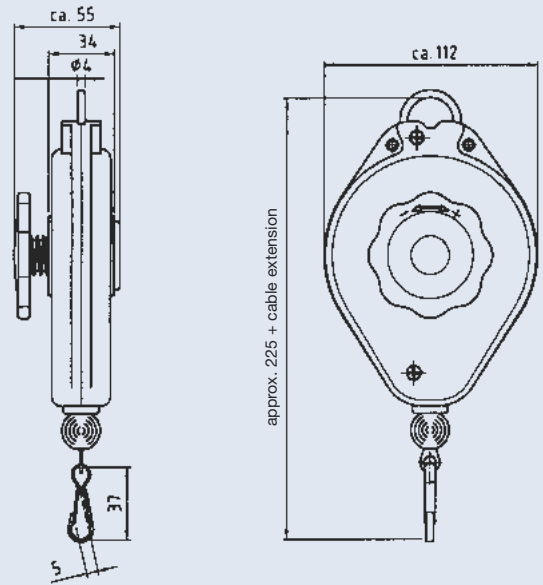
- Housing: Impact- and abrasion-resistant plastic
- Cable drum: Abrasion-resistant plastic
- Cable: High-strength polyamide cable with elastic cable stop buffer and light-duty spring hook for load suspension
- Spring: High-strength special suspension spring with easy load setting via handwheel

Safety features:

- ▶ Fully assembled unit
- ▶ Rigid housing
- ▶ Insulated suspension

Working ranges:

- Cable extension: 2.0 m



ID No.	Load Range (kg)	Cable Travel (m)	Dead Weight (kg)
5200 0000 01	0.5–1.2	2.0	0.6
5200 0000 02	1.0–2.0	2.0	0.6

