

Permanent Lifting Magnet Model Type TMC, TMH, TML and TMA

- Suitable for flat support surfaces
- Completely new operating concept allows extended action radius
- Ergonomic activation with minimal force
- Smooth lever with safety lock
- Outstanding performance properties on thin-walled materials (can be used from 2 mm upwards)
- Additional magnetic pre-load for better positioning of the magnet
- Outstanding weight/performance ratio
- Hardened magnetic adhesion surface with TiN coating
- Robust, compact design
- The specially oriented magnetic field (patented) permits "short-term" welding only about 15 mm from the magnet's outer side
- Type TMC 300 (basic unit) for clamping and welding applications
- Type TMH 50 with handle for the implementation of light steel plates. Protects hands and fingers from hot and sharp-edged steel.
- TYPE TML 100 with 360° rotating and pivoting suspension eye for use as load lifting magnet (also under full load)
- TYPE TMA 300 Welding angle, from 0° to 90° continuously adjustable angle side plates for holding/welding of material pieces
- Each load lifting magnet is individually tested and delivered with a test certificate



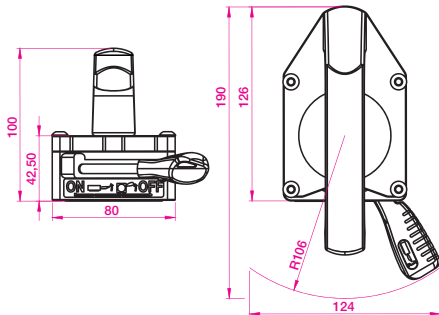
Base unit TMC 300



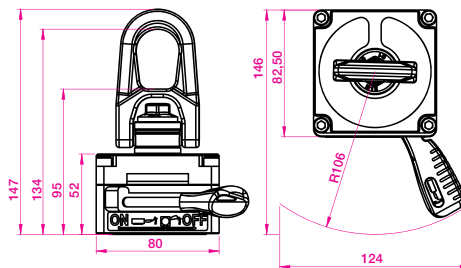
Attention:

- Particularly suitable for plate levelling, platform construction, fixing and tensioning technology of any kind
- Low dead weight
- Can be used from a material thickness of 2 mm
- Optimised design and operation
- TML 100 also available in model for round material

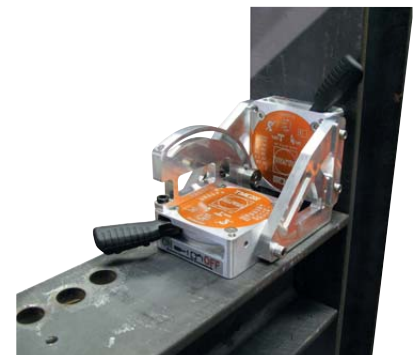
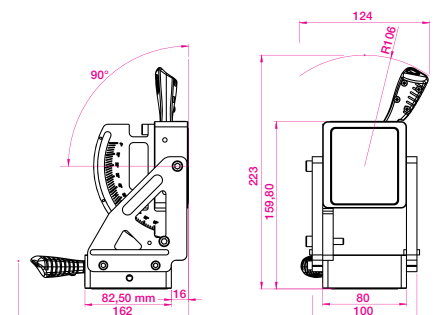
Manual load lifting magnet TMH 50



Load lifting magnet TML 100



Variable welding angle TMA 300



Type	Flat material		Weight in kg/pce	Item no.
	Load capacity	Material thickness		
TMC 300	300	6	1.0	25301210015003
TMH 50	50	3	1.6	25301210015004
TML 100	100	6	1.7	25301210015005
TMA 300	100	6	2.7	25301210015006