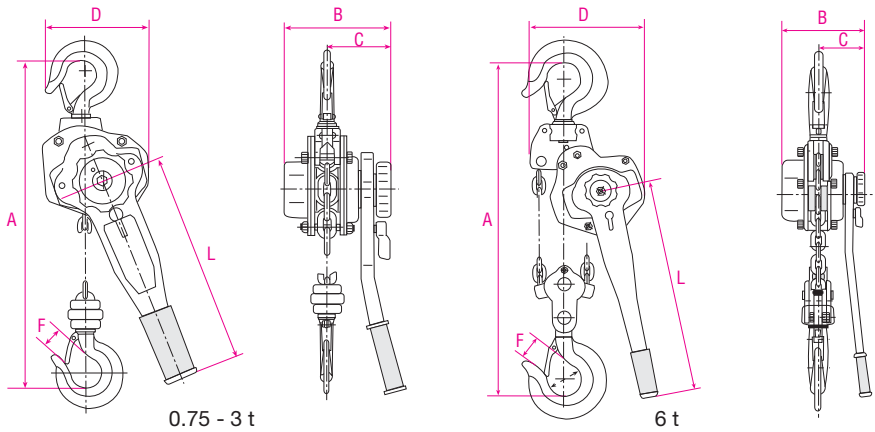


### Lever Hoist Type RZ

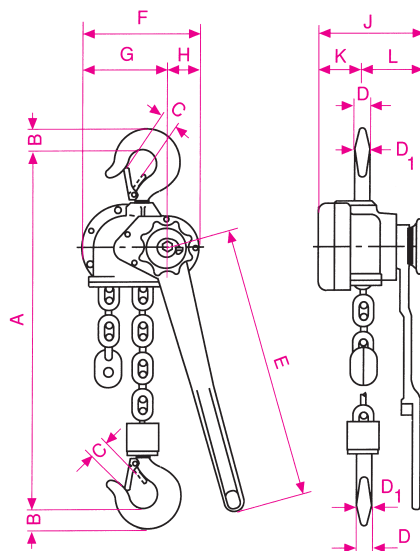
- With round steel chain according to EN 818-7
- Standard lifting height 1.5 m



Load capacity in kg	Type	Lever force at nominal load in N	Chain falls	Dimensions in mm							Weight with standard lift in kg	Item no.
				A	B	C	D	H min.	F	L		
750	RZ 75	210	1	320	156	94	132	38	26	280	7.5	15201000015038
1500	RZ 150	240	1	360	176	103	162	42	32	410	11.5	15201000015039
2000	RZ 200	300	1	365	176	103	162	45	34	410	12.7	15201000015040
3000	RZ 300	320	1	470	202	112	185	50	34	410	21.0	15201000015041
6000	RZ 600	340	2	565	202	112	230	65	44	410	31.5	15201000015042

### Lever Hoist D 85 with flexible Round Steel Chain

- Portable and versatile hoist for lifting, pulling and tensioning
- Simple and safe use
- Low headroom for use in confined areas
- Short distance between hooks
- Housing of malleable cast iron
- Drop-forged hooks for rough industrial use
- Virtually unlimited applications in workshops, machine construction, steel mills, shipbuilding, assembly in civil engineering
- Ideal for positioning of heavy machinery, power line construction and lashing of heavy loads for transport
- The robust design makes the hoist suitable for use in damp environments



#### Option:

- Available with overload protection
- Type C 85 with roller chain

Capacity in kg	Lever force at nominal load in daN	Chain falls	Lift with a lever twist in mm	Dimensions in mm												Weight w/ standard lift in kg	Item no.
				A min.	B	C	D	D1	E	F	G	H	J	K	L		
750	38	1	111	322	21	27	15	17	443	112	56	56	142	39	103	8.2	15201000015033
1500	31	1	45	389	27	30	20	23	443	189	134	55	171	72	99	16.3	15201000015034
3000	40	1	33	403	35	34	25	25	570	197	142	55	179	76	103	19.6	15201000015035
6000	42	2	17	532	48	46	40	40	570	197	142	55	218	76	142	32.9	15201000015036
10000	37	3	11	805	61	54	40	45	570	305	163	142	218	76	142	60	15201000015037