

POWERED LIFTING EQUIPMENT

Electric Wire Rope Winches

Electric Wire Rope Winch with planetary Gear Type 45/10 for Lifting¹⁾ and Pulling

Rope pulling force 2,000 – 20,000 kg

This classic assembly winch has been developed using latest technology and offers a very reasonable price-performance ratio. Its rugged construction and big rope capacity form a solid basis for a wide variety of uses. For your individual application this new winch can be delivered with many different accessories.

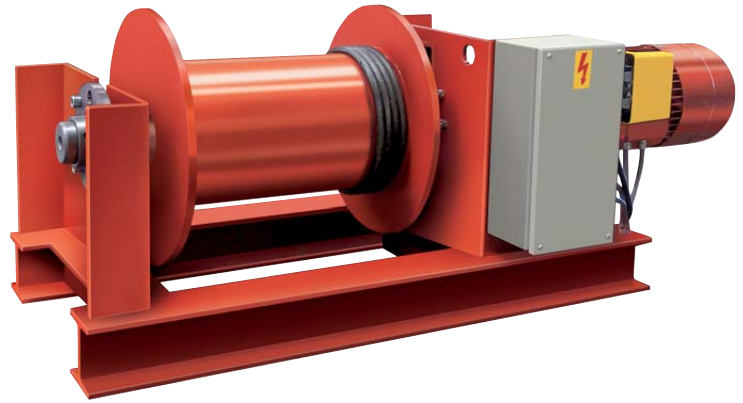
The standard version offers the following benefits:

- Precision planetary gear
- FEM duty classification from 1Bm – 2m
- **Standard version - 1 Bm**
- Big rope capacity for all applications
- Rigid winch construction and welding
- Separated planetary gear for easy maintenance
- Manufactured in Germany

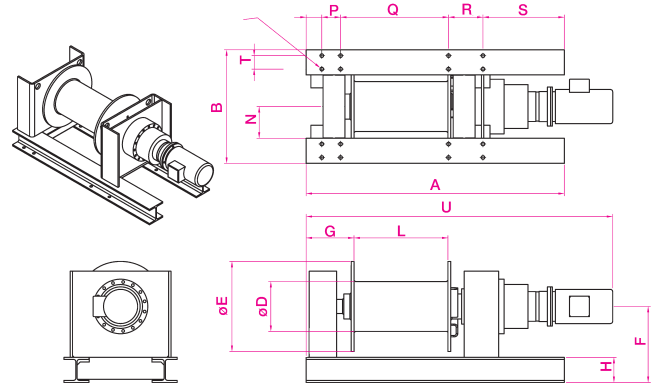
Additional options:

- Grooved rope drum
- 2nd brake as safety brake
- Rope pressure roller
- Rope spooling guide
- Slack rope monitoring
- Free-wheeling drum mechanism
- Separating partition and/or 2nd rope fastening on the drum
- Space-saving bevel gear
- Manual operation in case of emergency
- Operation hour counter
- Upper and lower rope limit
- Other rope speeds, rope capacities and voltages
- Radio remote control
- Protected control
- Infinitely adjustable rope speed
- Protection class IP66
- Air powered version
- Hydraulically powered version
- Protective hood for drum
- Capstan winch head
- Disengaging clutch
- Explosion-proof version

¹⁾ For lifting applications an upper and lower rope limit switch must be used.



Also available in explosion-proof version. For detailed information see pages 84-85.



Please note that other rope speeds and power ratings are available on request

Rope pulling force in 1st layer in kg*	Rope speed in m/min	Power output in kW	Rope Ø in mm	Duty ratio ED in %	Required MBL of rope in kN	Rope capacity in m 1st layer 5th layer	Weight in kg/pce	Item no.
2000	5.5 / 23	2 / 8.5	10	40	71	20 135	300	15181000015036
3200	3 / 12.5	2 / 8.5	12	40	114	23 160	345	15181000015037
4000	2.5 / 11	2 / 8.5	13	40	142	22 150	350	15181000015038
5000	2 / 8	2 / 8.5	14	40	178	25 165	450	15181000015039
6300	1.7 / 7	2 / 8.5	16	40	224	20 155	495	15181000015040
8000	1.3 / 5.5	2 / 8.5	18	40	284	22 155	725	15181000015041
10000	1 / 4	2 / 8.5	20	40	355	22 155	740	15181000015042
12500	0.3 / 3.5	2 / 8.5	22	40	444	22 160	855	15181000015043
16000	0.6 / 2.5	2 / 8.5	25	40	568	22 160	1250	15181000015044
20000	0.5 / 2.1	2 / 8.5	28	40	710	22 160	1320	15181000015045

Rope pulling force in 1st layer in kg*	Main dimensions in mm																
	A	B	D	E	F	G	H	L	M	N	O	P	Q	R	S	T	U**
2000	1450	544	133	300	320	215	100	530	13	172	70	100	700	100	480	56	1630
3200	1450	544	159	320	320	215	100	610	13	172	70	100	700	100	480	56	1750
4000	1450	544	178	350	320	215	100	580	13	172	70	100	700	100	480	56	1720
5000	1530	620	203	400	370	204	120	610	17	190	90	75	700	75	590	70	1770
6300	1530	620	219	430	370	204	120	610	17	190	90	75	700	75	590	70	1880
8000	1650	724	254	510	485	301	160	600	23	202	100	120	690	220	520	86	2000
10000	1650	724	279	550	485	301	160	600	23	202	100	120	690	220	520	86	2000
12500	1650	724	318	610	485	301	160	600	23	202	100	120	690	220	520	86	2130
16000	1850	1000	356	685	595	378	220	600	25	280	150	200	700	200	600	120	2240
20000	1850	1000	394	760	595	378	220	600	25	280	150	200	700	200	600	120	2310

* subject to change ** depends on type of drive